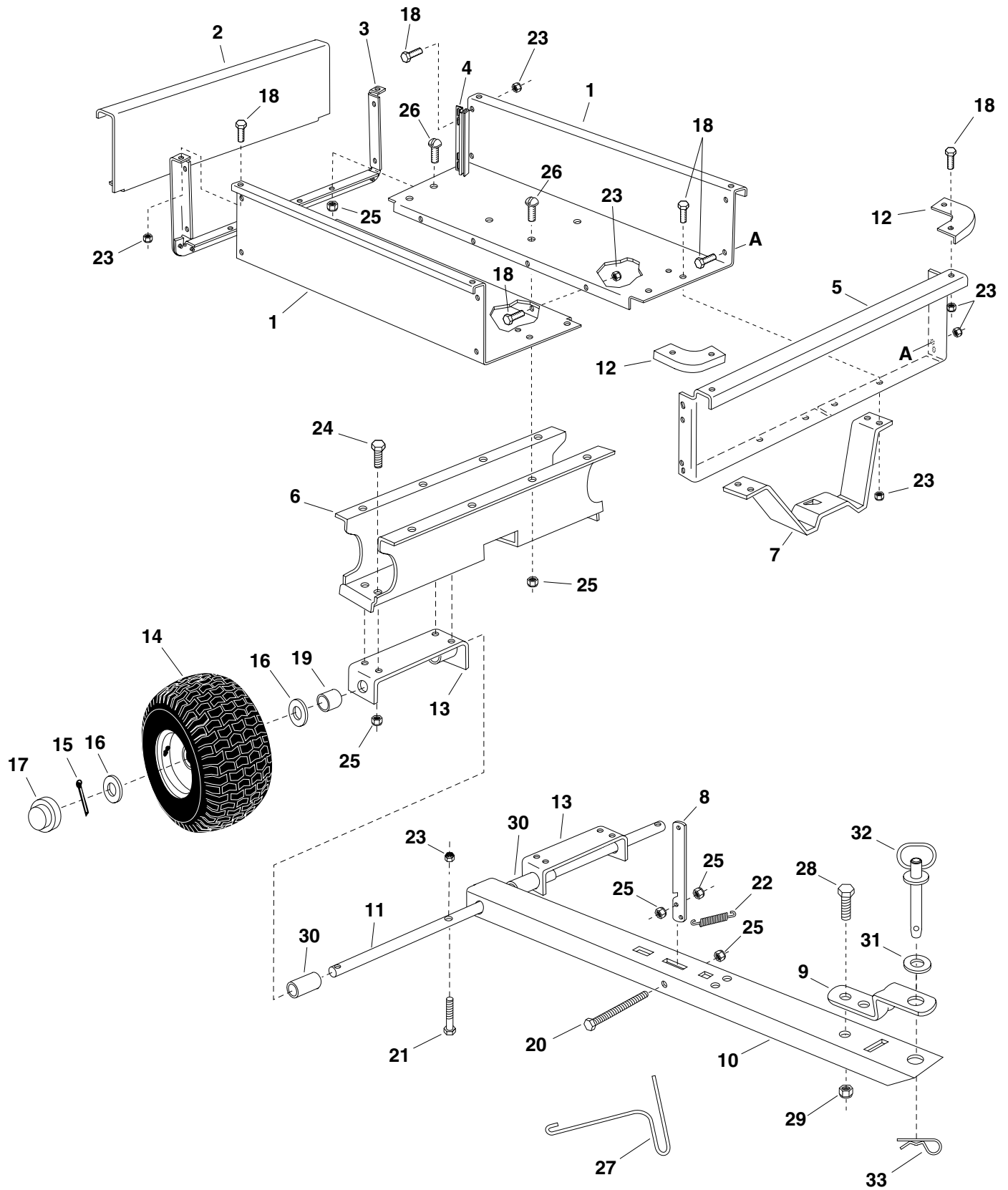


REPAIR PARTS FOR CART MODELS 45-02173 & 190-521A-100



REPAIR PARTS LIST FOR CART MODELS 45-02173 & 190-521A-100

REF. NO.	PART NO.	DESCRIPTION	45-02173	190-521A-100
1	23984	Cart Body	2	2
2	23504	Tailgate	1	1
3	62457	Tailgate Reinforcement Bracket	1	1
4	23548	Guide, Tailgate	2	2
5	23490	Front Panel	1	1
6	23821	Wheel Support	1	1
7	24757	Latch Stand Bracket	1	1
8	24498	Latch Lock Lever	1	1
9	23014	Hitch Bracket	1	1
10	24756	Tongue (Draw Bar)	1	1
11	24462	Axle, Wheel 1" Dia.	1	1
12	23484	Cap, Front Corner	2	2
13	62359	Axle Bracket Assembly	2	2
14	48906	Wheel, 18.0" x 9.5"	2	2
15	43093	Cotter Pin, 1/8" Dia. x 1-1/2"	2	2
16	43601	Washer, Flat 1.032"	4	4
17	43014	Hub Cap	2	2
18	43012	Hex Bolt, 1/4-20 x 3/4" *	24	24
19	45132	Spacer Tube (Short)	2	2
20	47407	Hex Bolt, 5/16-18 x 3-3/4"	1	1
21	1509-69	Hex Bolt, 1/4-20 x 1-3/4" *	2	2
22	47408	Spring	1	1
23	47189	Nylock Nut, 1/4-20 Thread *	26	26
24	43182	Hex Bolt, 5/16-18 x 3/4" Lg.*	8	8
25	47810	Nylock Nut, 5/16" Thread	23	23
26	43814	Slit. Truss Hd. Bolt, 5/16-18 x 3/4" Lg.*	12	12
27	47622	Spring Puller Tool	1	1
28	43001	Hex Bolt, 3/8-16 x 1" Lg. *	1	1
29	HA21362	Nylock Nut, 3/8-16 Thread *	1	1
30	44678	Spacer Tube (Long)	2	2
31	R19171616	Flat Washer, 17/32" x 1"	1	1
32	43884	Pin, Hitch	1	1
33	43343	Hair Cotter Pin, 3/32"	1	1
	49173	Owners Manual	1	1

* Purchase Common Hardware Locally

SpeedEPart *the fastest way to purchase parts* www.speedepart.com